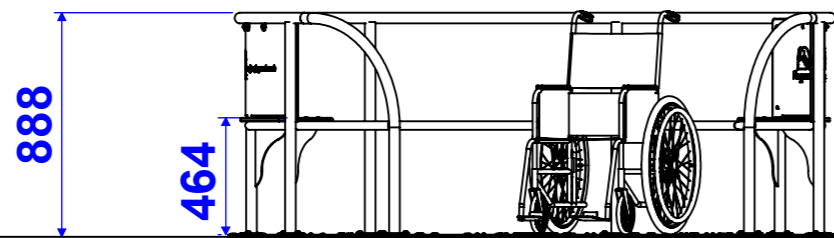
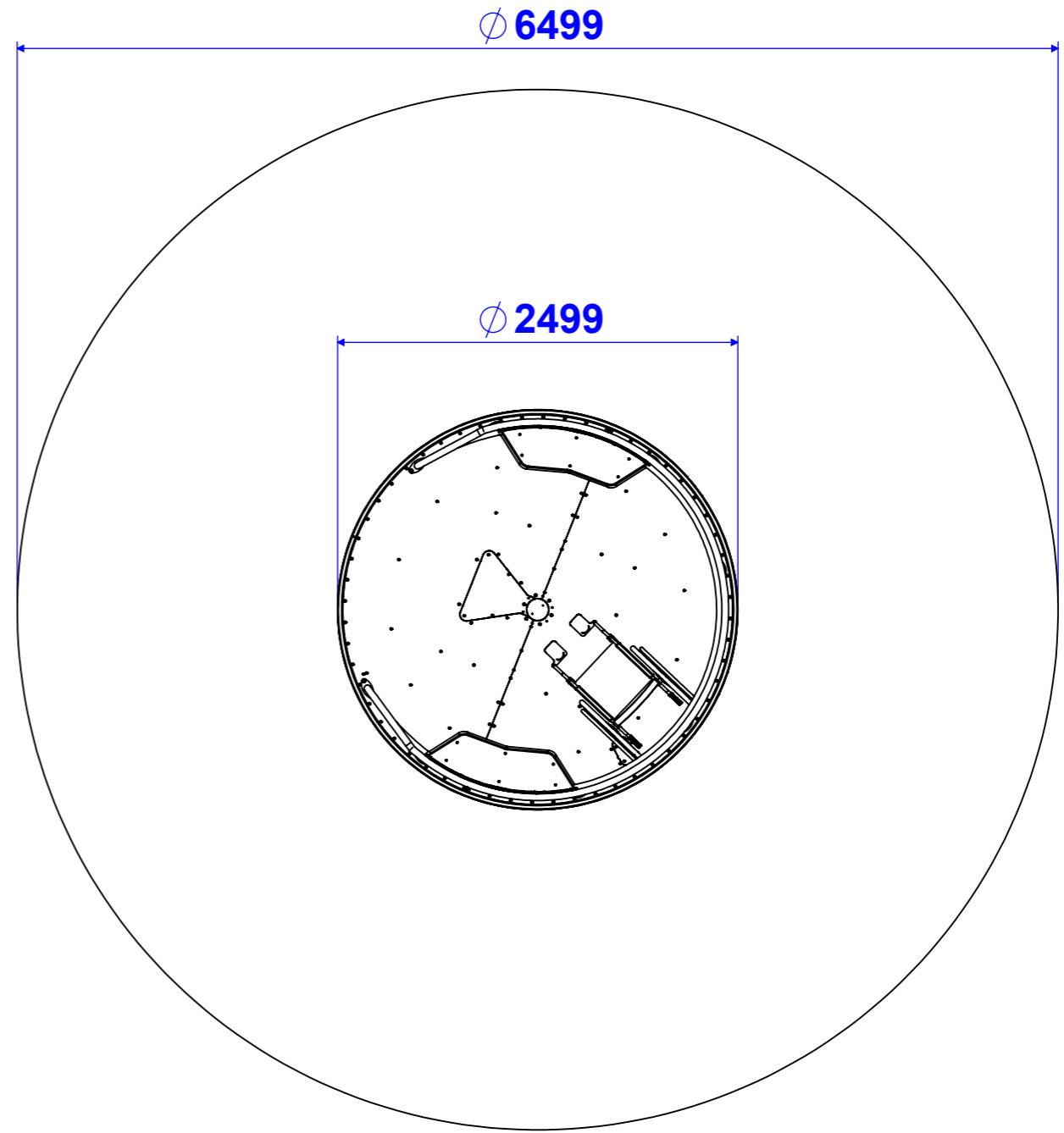


Item	Type	Min Qty.
Wetpour (m ²)	FFH1.0 m	28.27
Unit Fix (m ³)	1:2:4 Concrete	0.19
Surfacing Base (m ³)	MOT Type 1	3.23
Length of Edging (m)	Perimeter	20.42

ESTIMATED QUANTITIES ONLY



Drawing Status	In Development



Design
Manufacture
Installation

www.gljones-playgrounds.co.uk
info@gljones-playgrounds.co.uk

GL Jones Playground Ltd
Station Road, Bethesda
Gwynedd LL57 3NE
Tel: 01248 600372
Fax: 01248 602085

**THIS DRAWING SHOULD NOT BE USED FOR
INSTALLATION PURPOSES. FOR GUIDENCE
ONLY**

	NAME	DATE
LASTSAVE	nathan.williams	04/06/2025
DRAWN	Mike Roberts	20/12/2016

DO NOT SCALE DRAWING	REVISION	10
TITLE:	AbilityDisk	
MATERIAL: See Detail Drawing	DWG NO. D001-001	A3 ©
Website View		